

2/3-way Vacuum Pneumatic Valve

2/3-way Vacuum Pneumatic Valve MPV-D63-F4-P

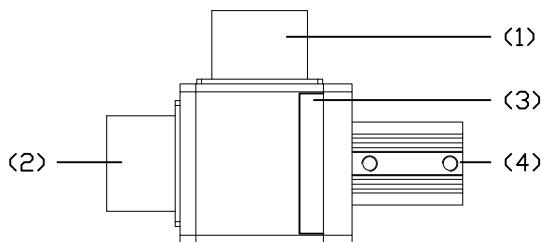
2/3-way Vacuum Pneumatic Valve MPV-D63-F4-P



Introduction and application

- ◆ The valve is controlled by the cylinder internal piston action, thus realizing vacuum opening and closing.
- ◆ Suitable for occasions requiring quick vacuum switching.

System Design 2/3-way Vacuum Pneumatic Valve MPV-D63-F4-P



Design

- ◆ The body is made of aluminum alloy
- ◆ (1) it is a vacuum pump joint
- ◆ (2) It is the working port
- ◆ Cylinder (4) controls piston (3) action

Ordering Data 2/3-way Vacuum Pneumatic Valve MPV-D63-F4-P

Type	Ordering Data
MPV-D32-F4-P	90.06.01.00060
MPV-D63-F4-P	90.06.01.00001

Combined Suction Cups

Vacuum Suction Cups

Composite Suction Cups

Special Grippers

Vacuum Gripping Systems

Mounting Elements

Vacuum Generators

Valve Technology

Switch And Monitoring

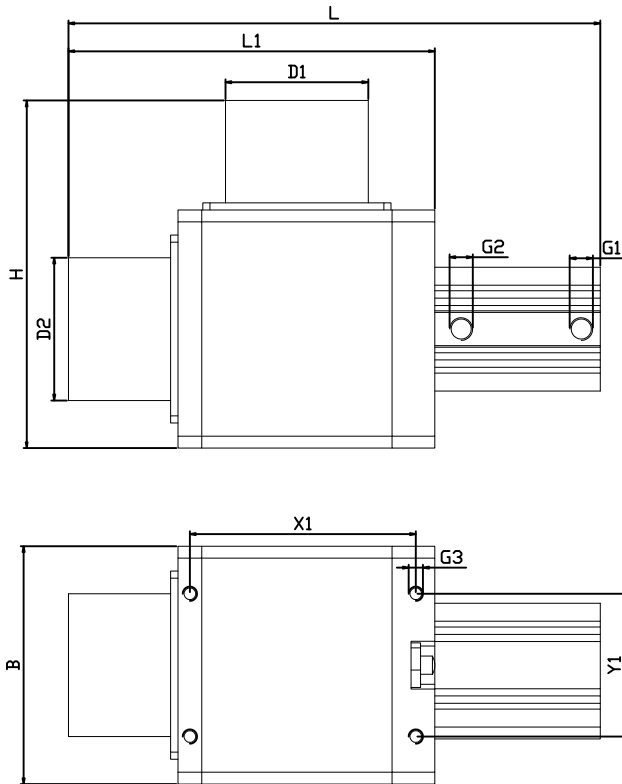
Vacuum Filters

2/3-way Vacuum Pneumatic Valve

2/3-way Vacuum Pneumatic Valve MPV-D63-F4-P

Design Data 2/3-way Vacuum Pneumatic Valve MPV-D63-F4-P

MPV-D-F4-P



Type	Dimensions[mm]										
	B	D1	D2	H	G1	G2	G3	L	L1	X1	Y1
MPV-D32-F4-P	100	32	32	146	G1/8-F	G1/8-F	M6-F	223.5	154	95	60
MPV-D63-F4-P	100	60	60	146	G1/8-F	G1/8-F	M6-F	223.5	154	95	60

Combined Suction Cups

Vacuum Suction Cups

Composite Suction Cups

Special Grippers

Vacuum Gripping Systems

Mounting Elements

Vacuum Generators

Valve Technology

Switch And Monitoring

Vacuum Filters